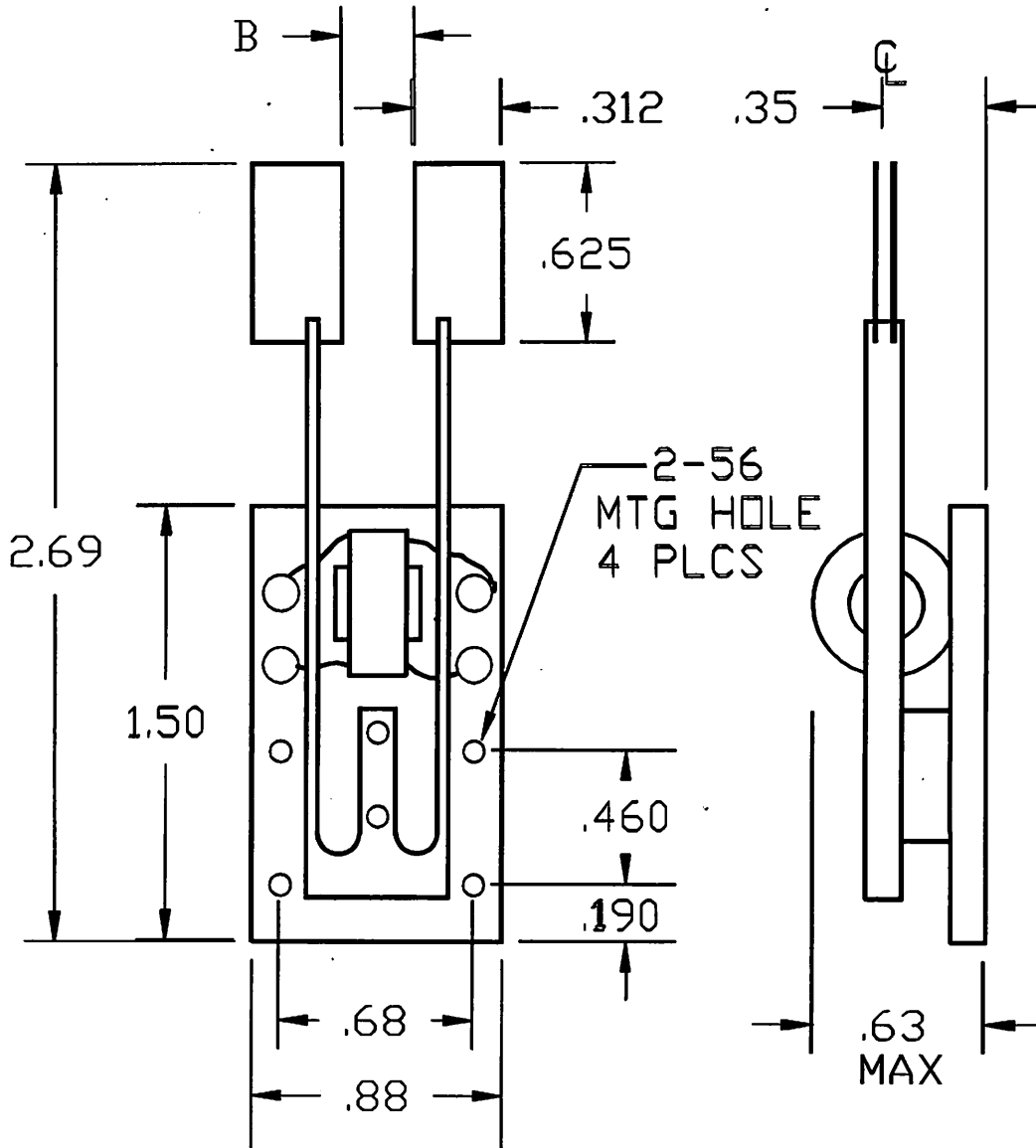


ELECTRO-OPTICAL PRODUCTS PROPRIETARY

THIS DOCUMENT CONTAINS PROPRIETARY INFORMATION AND EXCEPT WITH WRITTEN PERMISSION OF ELECTRO-OPTICAL PRODUCTS CORPORATION SUCH INFORMATION SHALL NOT BE PUBLISHED, OR DISCLOSED TO OTHERS, OR USED FOR ANY PURPOSE, AND THE DOCUMENT SHALL NOT BE DUPLICATED IN WHOLE OR IN PART.



B = 0.200 FOR 90%
 B = 0.00 FOR 50%

TOLERANCES:
 .XX ±.01
 .XXX ±.005

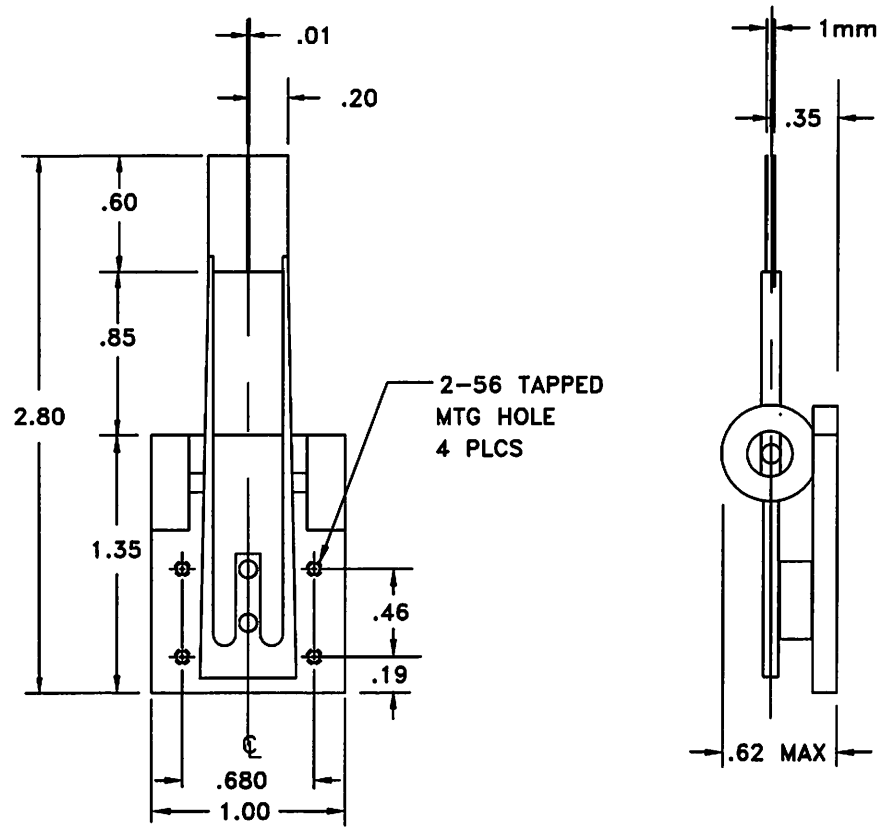
ELECTRO-OPTICAL PRODUCTS CORP., FRESH MEADOWS, NY			
CH-10 CHOPPER, OUTLINE DRAWING (100-200 Hz)			
SIZE	A	DRAWING NO.	REV
		93-100028	
SCALE	N T S	SHEET	1 OF 1

ELECTRO-OPTICAL PRODUCTS PROPRIETARY

THIS DOCUMENT CONTAINS PROPRIETARY INFORMATION AND EXCEPT WITH WRITTEN PERMISSION OF ELECTRO-OPTICAL PRODUCTS CORPORATION SUCH INFORMATION SHALL NOT BE PUBLISHED, OR DISCLOSED TO OTHERS, OR USED FOR ANY PURPOSE, AND THE DOCUMENT SHALL NOT BE DUPLICATED IN WHOLE OR IN PART.

REVISIONS

REV	DESCRIPTION	DATE	APPROVED



UNLESS OTHERWISE SPECIFIED
DIMENSIONS ARE IN INCHES
& PER ANSI Y14.5M-1982

FRACTIONS ±
ANGLES ±1/2°
3 PLACE DECIMALS ±.005
2 PLACE DECIMALS ±.01
HOLES ±

PREPARED 01/14/2009

APPROVED

ELECTRO-OPTICAL PRODUCTS CORP.
FRESH MEADOWS, NEW YORK

TITLE
OUTLINE DRAWING
CH-10, 400 Hz - 500 Hz

SIZE A DWG NO. **09-100871** REV.

SCALE FULL SHEET 1 OF 1